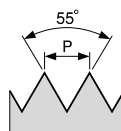
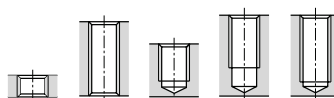


ČSN 22 3012

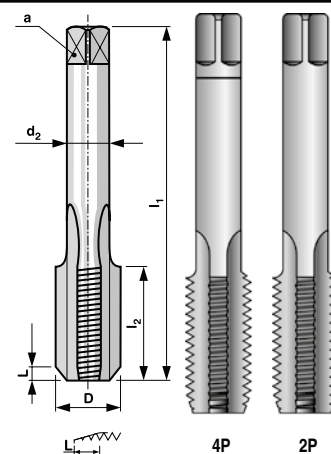
NO/CS/WS
code 112 XXX

HSS
code 142 XXX

Závitníky sadové Set of hand taps Satzgewindebohrer Метчики наборные



Lícování: A / Tolerance: A /
Toleranz: A / Подгонка: A



Trubkový závit
Pipe thread
Rohrgewinde
Трубная резьба

G(BSP)

| D | z/h" | P | l ₁ | l ₂ | d ₂ | a | | * | code NO/CS/WS | code HSS |
|---------|------|-------|----------------|----------------|----------------|------|-------|---|---------------|----------|
| G 1/16" | 28 | 0,907 | 52 | 14 | 5,6 | 4,5 | 6,80 | 2 | 112 116 | 142 116 |
| G 1/8" | 28 | 0,907 | 59 | 15 | 8 | 6,3 | 8,80 | 2 | 112 180 | 142 180 |
| G 1/4" | 19 | 1,337 | 67 | 19 | 10 | 8 | 11,80 | 2 | 112 140 | 142 140 |
| G 3/8" | 19 | 1,337 | 75 | 21 | 12,5 | 10 | 15,20 | 2 | 112 380 | 142 380 |
| G 1/2" | 14 | 1,814 | 87 | 26 | 16 | 12,5 | 19,00 | 2 | 112 120 | 142 120 |
| G 5/8" | 14 | 1,814 | 91 | 26 | 18 | 14 | 21,00 | 2 | 112 580 | 142 580 |
| G 3/4" | 14 | 1,814 | 96 | 28 | 20 | 16 | 24,50 | 2 | 112 340 | 142 340 |
| G 7/8" | 14 | 1,814 | 102 | 29 | 22,4 | 18 | 28,25 | 2 | 112 780 | 142 780 |
| G 1" | 11 | 2,309 | 109 | 33 | 25 | 20 | 30,75 | 2 | 112 100 | 142 100 |

* kusy v sadě / pcs in set / Stck in Satz / штук в наборе



BUČOVICE
TOOLS a.s.

Materiál: NO; HSS
Provedení: nebroušený závit

Material: CS-carbon steel;
HSS
Execution: non-ground thread

Werkstoff: WS-Werkzeugstahl;
HSS
Ausführung: nicht
geschliffenes Gewinde

Материал: NO-инструментальная сталь; HSS
Изготовлено: нешлифованная резьба